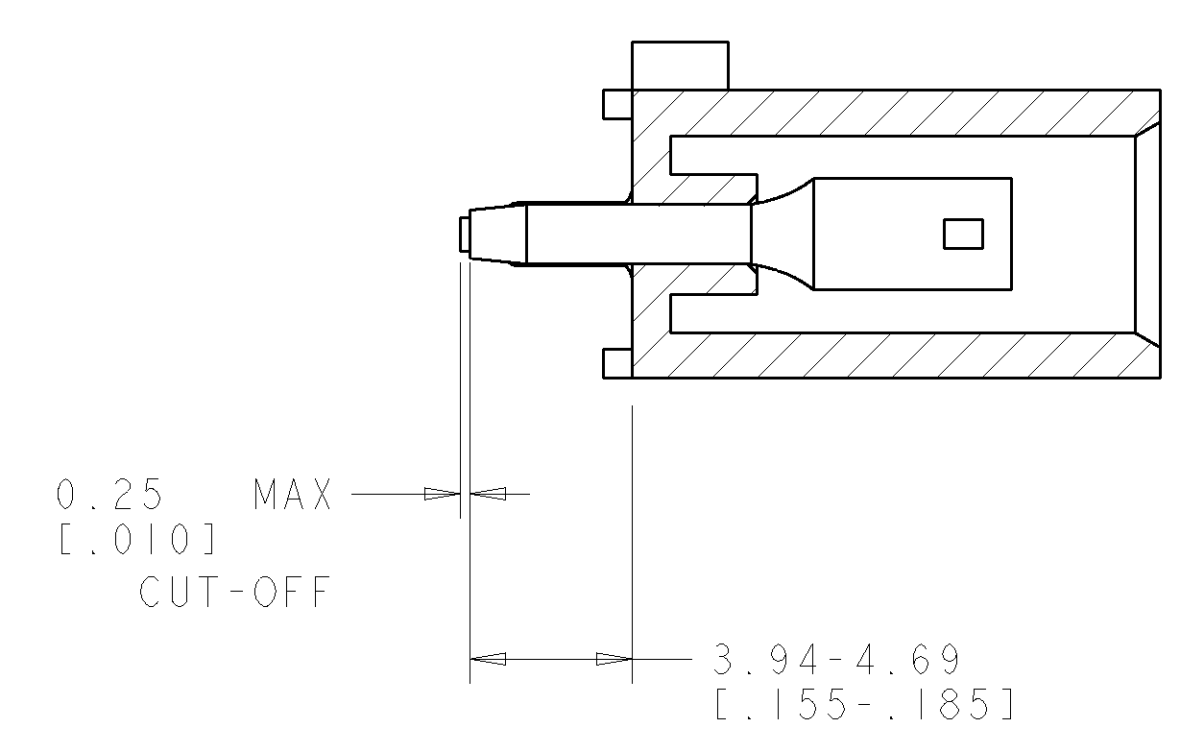
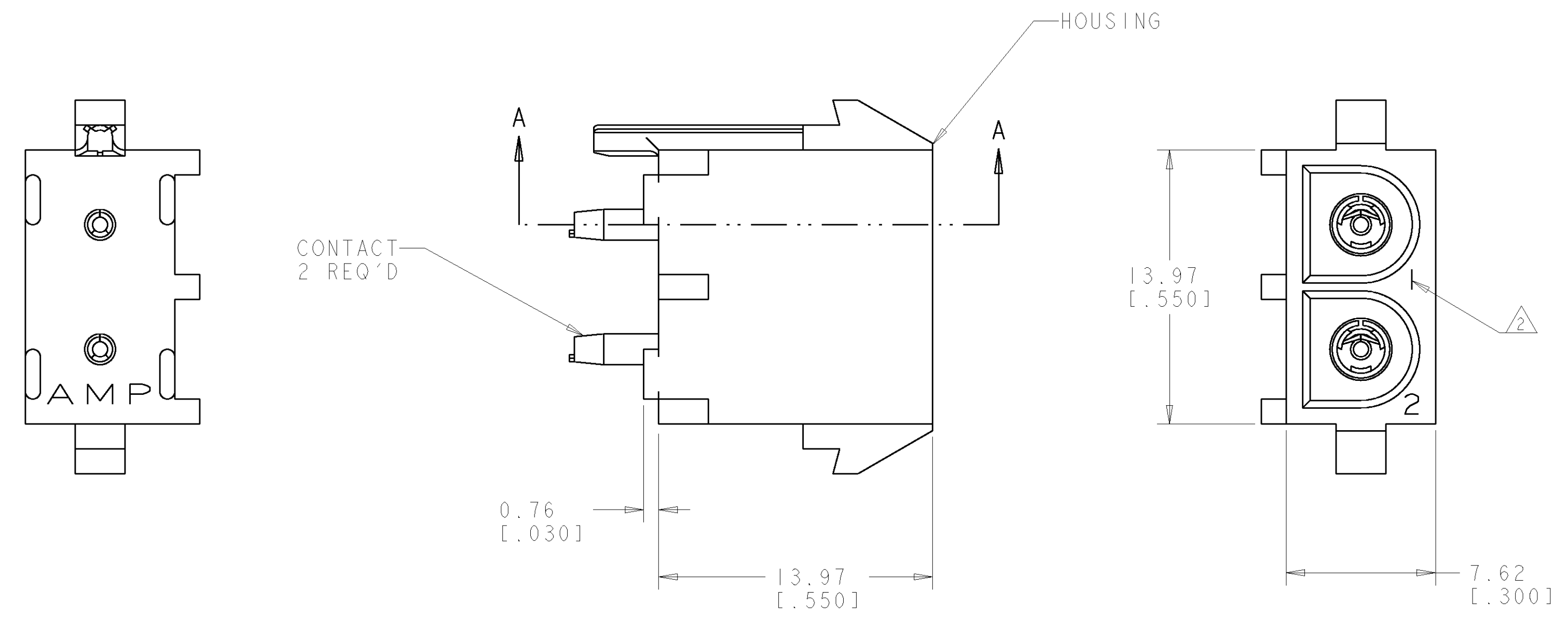
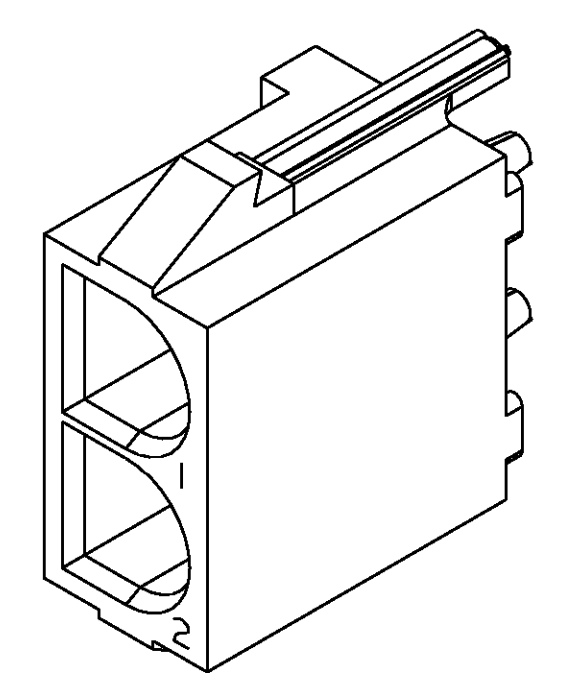


LOC		DIST		REVISIONS			
CM	00	P	LTR	DESCRIPTION	DATE	DWN	APVD
		0		REVISED PER 0638-0439-03	21-NOV-03	KW	SR

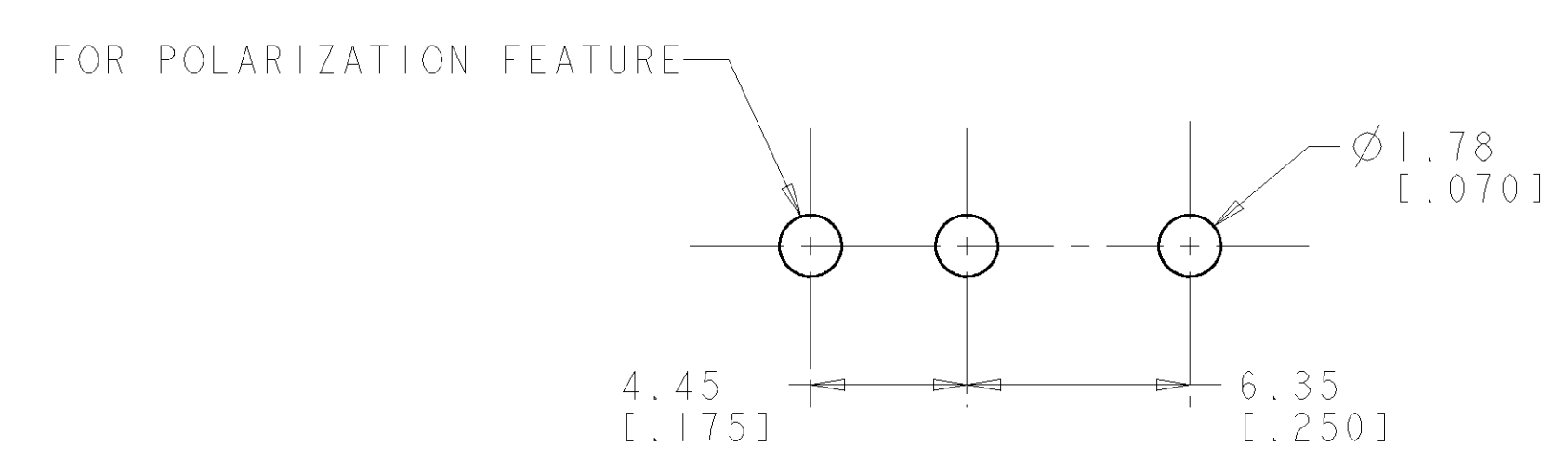
- PARTS COMPLY TO AMP SOLDERABILITY SPECIFICATION 109-11-3.
- CIRCUIT IDENTIFICATION CHARACTERS ARE ADJACENT TO THE INDICATED CAVITIES, BUT LOCATION AND ORIENTATION MAY DIFFER FROM PRINT.
- DIMENSIONS IN BRACKETS ARE IN INCHES.



SECTION A-A



3 DIMENSIONAL VIEW
SCALE 4:1



RECOMMENDED MOUNTING HOLE PATTERN
FOR 1.57 [.062] THICK P.C. BOARD

PHOSPOR BRONZE, PRE-TIN CONTACT MATERIAL AND FINISH		NYLON, UL94V-0, WHITE HOUSING MATERIAL AND COLOR		1586247-1 PART NUMBER
<small>THE DIMENSIONS OF DIMENSIONS SPECIFIED FOR THIS PRODUCT ARE BASED ON THE DIMENSIONS OF THE PARTS AS SUPPLIED BY THE MANUFACTURER. DIMENSIONS MAY VARY Slightly FROM THE DIMENSIONS SPECIFIED IN THIS DRAWING DUE TO MANUFACTURING TOLERANCES.</small>		DWN R. WHITAKER 21-NOV-03	Tyco Electronics Harrisburg, PA 17105-3608	
DIMENSIONS: mm [INCHES]		CHK S. RIDGILL 21-NOV-03	NAME SOCKET HEADER ASSEMBLY, POLARIZED, 2 CIRCUIT, W/O DRAIN HOLES, UNIVERSAL MATE-N-LOK™	
TOLERANCES UNLESS OTHERWISE SPECIFIED: 0 PLC ± 1 PLC ± 2 PLC ±0.13(.005) 3 PLC ± 4 PLC ± ANGLES ±30°		APVD S. RIDGILL 21-NOV-03	PRODUCT SPEC APPLICATION SPEC WEIGHT CUSTOMER DRAWING	
MATERIAL SEE TABLE		FINISH SEE TABLE		SIZE CAGE CODE DRAWING NO. RESTRICTED TO A1 00779 C=1586247 SCALE 5:1 SHEET 1 OF 1 REV 0

